

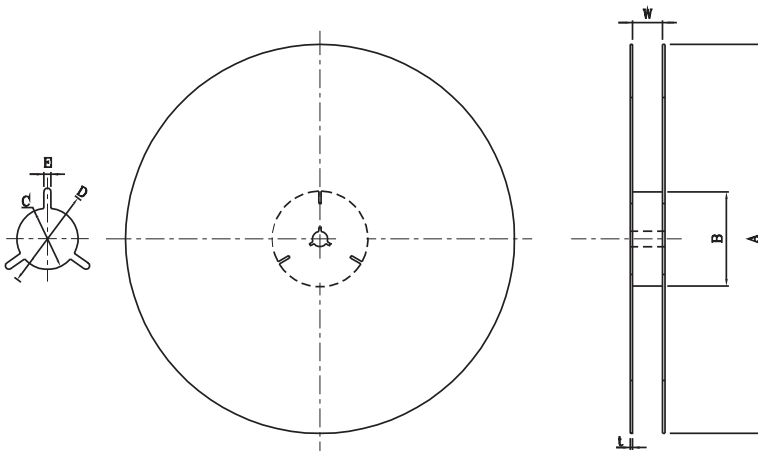
Packaging Information

PRODUCT & PACKAGING CODE

Product	Tape(Carrier)	Reel	Unit	Remark
XY, PY, OY, TY, TY-J	C27	R15	3000PCS/Reel	Standard Carrier
		R24	750PCS/Reel	Optional Carrier
XX, PX, OX, TX, TX-J, X2, OA, VA	C25	R15	3000PCS/Reel	Standard Carrier
		R24	500PCS/Reel	Optional Carrier
TX-P	C43	R13	3000PCS/Reel	Standard Carrier
XV, XS, OV, OW, VW, OJ, VJ, TV, PV	C24	R13	1000PCS/Reel	Standard Carrier
XR	C5	R2	1000PCS/Reel	Standard Carrier
OC, OT, VT, TS, TT, TA, OD, PC	C3	R2	1000PCS/Reel	Standard Carrier
XQ	C4	R2	1000PCS/Reel	Standard Carrier
XI	-	-	2000PCS Plastic Bag	Standard Carrier
	A2	-	1000(800)PCS/Ammopack	Optional Carrier
XJ	C2	R6	1000PCS/Reel	Standard Carrier
TF, NF	-	-	Box	Standard Carrier
TK, VK, VL	C22	R6	500PCS/Reel	Standard Carrier
XD 20 × 12 mm	C40	R15	3000PCS/Reel	Standard Carrier
XD 32 × 15 mm	C28	R13	3000PCS/Reel	Standard Carrier
XD 41 × 15 mm	C29	R13	3000PCS/Reel	Standard Carrier
XA	-	-	1000PCS Plastic Bag	Standard Carrier
XB	-	-	2000PCS Plastic Bag	Standard Carrier
NI, NA, NP	-	-	Box	Standard Carrier
TW	C31	R13	1000PCS/Reel	Standard Carrier
XZ, OZ, PZ	C33	R15	3000PCS/Reel	Standard Carrier
		R24	1000PCS/Reel	Optional Carrier
X3	C34	R15	3000PCS/Reel	Standard Carrier
NJ	C35	R22	200PCS/Reel	Standard Carrier
XN 69 × 14 mm	C32	R21	3000PCS/Reel	Standard Carrier
XN 80 × 38 mm	C36	R21	3000PCS/Reel	Standard Carrier
NK-N	C37	R23	500PCS/Reel	Standard Carrier
TZ	C42	R15	3000PCS/Reel	Standard Carrier
	C33	R15	4000PCS/Reel	Optional Carrier
NN	C41	R6	5000PCS/Reel	Standard Carrier
TL	C44	R13	1000PCS/Reel	Standard Carrier

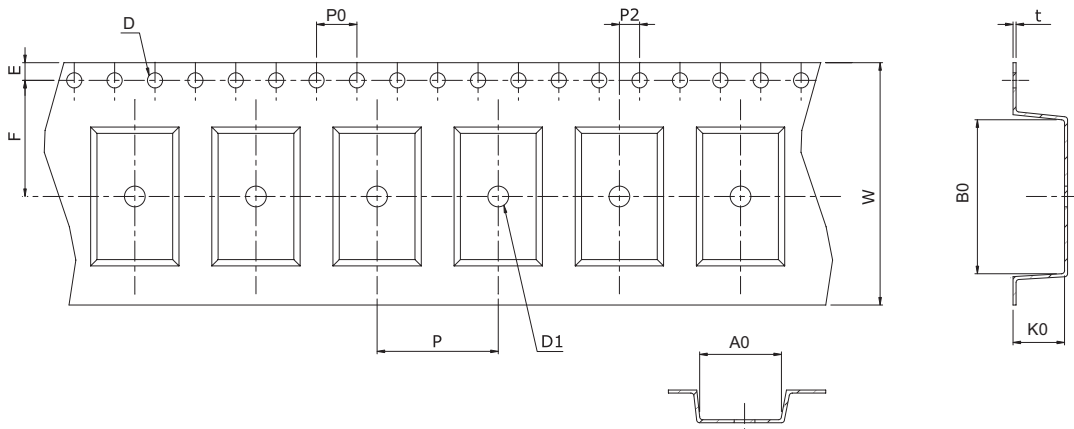
REEL DIMENSIONS **Unit:mm**

Code	A	B	C	E	W
R2	180	60	13.00 ±0.5	2.30	16.40 +2.0 -0
R6	330	100	13.00 ±0.5	2.00 ±0.5	24.40 +2.0 -0.0
R13	180 ±3	60 ±1	13.00 ±0.2	2.00 ±0.5	13.00 ±0.3
R15	180	60	13.00 ±0.5	2.30 ±0.5	9.30 +1.0 -0.0
R21	330	100	13.00	2.00	17.50
R22	330 ±2	100 ±4	13.20 ±0.2	2.20 ±0.5	44.40 +2.0 -0.0
R23	330 ±2	100 ±4	13.20 ±0.2	2.20 ±0.5	25.00 +2.0 -0.0
R24	100 ±1	52 ±1	13.60 ±0.5	2.50 ±0.5	9.00 ±0.5

REEL
R2, R6, R13, R15, R21, R22, R23, R24


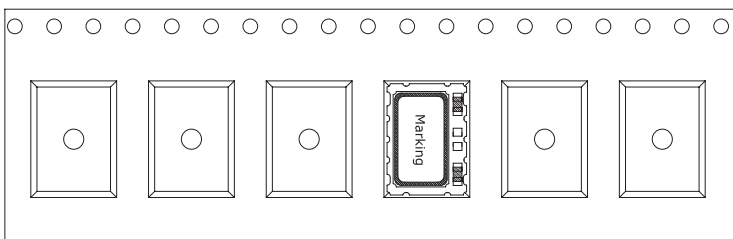
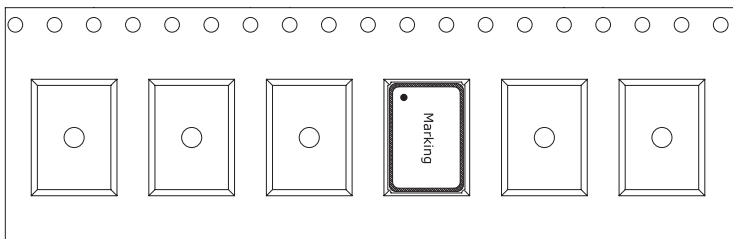
TAPE(CARRIER) DIMENSIONS Unit:mm

Code	A0	B0	D	D1	E	F
C3	5.56 ±0.1	7.85 ±0.1	Ø1.50 +0.1 -0.0	Ø1.50	1.75 ±0.1	7.50 ±0.1
C4	5.00 0.1 -0.2	8.40 ±0.2	Ø1.50 ±0.1	Ø1.60 +0.1 -0.1	1.75 ±0.1	7.50 ±0.1
C5	3.95 ±0.1	6.50 ±0.1	Ø1.50 +0.1 -0	Ø1.50 +0.25 -0	1.75 ±0.1	7.50 ±0.1
C22	10.20 ±0.1	15.00 ±0.1	Ø1.50	Ø1.50	1.75	11.50 ±0.1
C24	3.60 ±0.1	5.40 ±0.1	1.55 ±0.05	Ø1.50 Min.	1.75 ±0.1	5.50 ±0.05
C25	2.70 ±0.1	3.40 ±0.1	1.5 +0.1 -0	Ø1.0 Min.	1.75 ±0.1	3.50 ±0.05
C27	2.25 ±0.1	2.75 ±0.10	1.50 +0.1 -0	Ø1.10 ±0.1	1.75 ±0.1	3.50 ±0.05
C28	1.85 ±0.1	3.60 ±0.1	Ø1.50 ±0.1	Ø1.05 ±0.05	1.75 ±0.1	5.50 ±0.05
C29	1.85 ±0.1	4.50 ±0.1	Ø1.50 ±0.1	Ø1.05 ±0.05	1.75 ±0.1	5.50 ±0.05
C31	3.60 ±0.1	5.40 ±0.1	Ø1.55 ±0.05	Ø1.50 Min.	1.75 ±0.1	5.50 ±0.05
C32	1.70	7.20	1.50 0.10 -0	1.00	1.75 ±0.1	7.50
C33	1.90 ±0.1	2.30 ±0.1	Ø1.55 ±0.05	Ø1.1 ±0.05	1.75 ±0.1	3.50 ±0.05
C34	1.45 ±0.1	1.85 ±0.1	1.55 ±0.05	Ø1.50 Min.	1.75 ±0.1	3.50 ±0.05
C35	23.00 ±0.1	26.00 ±0.1	1.50 +0.1 -0	2.00 ±0.1	1.75 ±0.1	20.20 ±0.15
C36	4.05	8.30	1.50 0.10 -0	1.60	1.75 ±0.1	7.50
C37	10.00 ±0.1	15.00 ±0.1	1.50 +0.1 -0	2.00 ±0.1	1.75 ±0.1	11.50 ±0.15
C40	1.45 ±0.1	2.25 ±0.1	Ø1.50 ±0.1	Ø1.05 ±0.05	1.75 ±0.1	3.50 ±0.05
C41	7.80 ±0.1	10.00 ±0.1	Ø1.50 ±0.1	Ø1.50 ±0.05	1.75 ±0.1	11.50 ±0.1
C42	1.90 ±0.1	2.30 ±0.1	Ø1.50 ±0.1	Ø1.0 Min.	1.75 ±0.1	3.50 ±0.1
C43	2.90 ±0.1	3.60 ±0.1	1.50 ±0.05	Ø1.50 Min.	1.75 ±0.1	5.50 ±0.05
C44	3.50 ±0.1	5.30 ±0.1	1.50 ±0.1	Ø1.50 Min.	1.75 ±0.1	5.50 ±0.05

TAPE CARRIER
C3, C4, C5, C22, C24, C25, C27, C28, C29, C31, C32, C33, C34, C35, C36, C37, C40, C41, C42, C43, C44


K0	P	P0	P2	t	w
2.00	8.00	4.00	2.00	0.30	16.00
±0.1	±0.1	±0.1	±0.1	±0.05	±0.3
2.00	8.00	4.00	2.00	0.3	16.00
±0.1	±0.1	±0.1	±0.1	±0.1	±0.30
1.35	8.00	4.00	2.00	0.31	16.00
±0.1	±0.1	±0.1	±0.1	±0.1	±0.30
5.50	16.00	4.00	2.00	0.50	24.00
	±0.1			±0.05	±0.2
1.40	8.00	4.00	2.00	0.30	12.00
±0.1	±0.1	±0.1	±0.05	±0.05	±0.2
1.40	4.00	4.00	2.00	0.25	8.00
±0.1	±0.1	±0.1	±0.05	±0.05	+0.1 -0
1.15	4.00	4.00	2.00	0.25	8.00
±0.10	±0.1	±0.1	±0.05	±0.05	±0.2
0.95	4.00	4.00	2.00	0.25	12.00
±0.05	±0.1	±0.1	±0.05	±0.05	±0.2
0.95	4.00	4.00	2.00	0.25	12.00
±0.05	±0.1	±0.1	±0.05	±0.05	±0.2
1.70	8.00	4.00	2.00	0.30	12.00
±0.1	±0.1	±0.1	±0.05	±0.05	±0.2
1.70	8.00	4.0	2.0	1.70	16.00
±0.1		±0.1	±0.1		
0.90	4.00	4.00	2.00	0.25	8.00
±0.1	±0.1	±0.1	±0.05	±0.02	±0.2
0.45	4.00	4.00	2.00	0.25	8.00
±0.1	±0.1	±0.1	±0.1	±0.02	±0.2
12.50	32.00	4.00	2.00	0.50	44.00
±0.1	±0.1	±0.1	±0.1	±0.05	±0.3
2.70	8.00	4.00	2.00	2.70	16.00
±0.1		±0.1	±0.1		
7.00	16.00	4.00	2.00	0.50	24.00
±0.1	±0.1	±0.1	±0.1	±0.05	±0.3
0.80	4.00	4.00	2.00	0.25	8.00
±0.1	±0.1	±0.1	±0.05	±0.05	±0.2
4.60	12.00	4.00	2.00	0.40	24.00
±0.1	±0.1	±0.1	±0.05	±0.05	±0.2
0.60	4.00	4.00	2.00	0.20	8.00
±0.05	±0.1	±0.1	±0.1	±0.02	±0.1
1.70	4.00	4.00	2.00	0.3	12.00
±0.1	±0.1	±0.1	±0.05	±0.05	±0.2
1.90	8.00	4.00	2.00	0.30	12.00
±0.1	±0.1	±0.1	±0.05	±0.05	±0.3

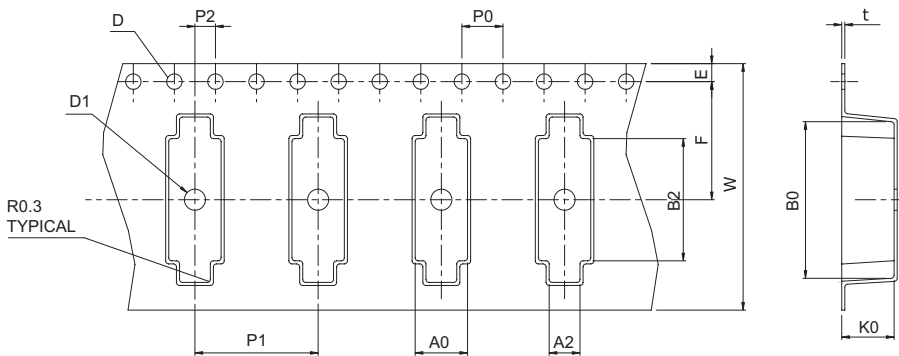
THE DIRECTION OF PACKING



TAPE(CARRIER) DIMENSIONS Unit:mm

Code	A0	A2	B0	B2	D	D1	E
C2	4.85	2.00	14.65	11.60	Ø1.50 ±0.1	Ø1.50 ±0.1	1.75 ±0.1

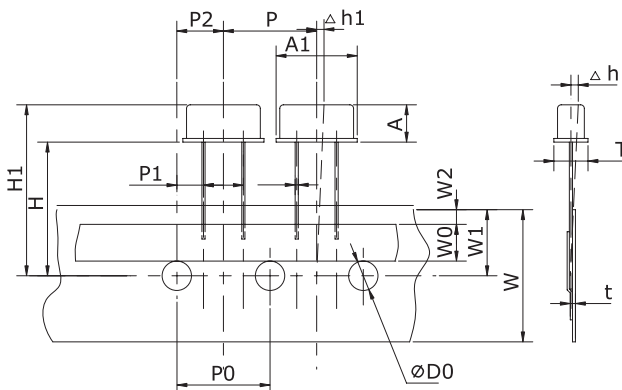
TAPE CARRIER C2



AMMOPACK DIMENSIONS (mm)

Code	h1	t	D0	H1	H	W2	W1	W0	W
A2	0 ± 2.0	0.9max.	Ø4.00 ±0.20	22.5max.	18.00 ±0.75	2.0max	9.00 +0.75 -0.5	5.00 ±0.5	18.0 +1.0 -0.5

AMMOPACK A2



F	K0	P0	P1	P2	t	W
11.50	4.35	4.00	12.00	2.00	0.40	24.00
±0.1	±0.1	±0.1	±0.1	±0.1	±0.05	±0.3

h	P2	P1	P0	P	T	A1 x A
0 ± 2.0	6.35	3.85	12.70	12.70	4.68max	11.05max. x 3.51max.
	±0.7	±0.70	±0.30	±1.0		