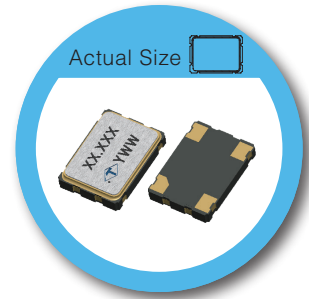


PC-U Type Crystal Oscillator

FASTXO 7.0 x 5.0 mm SMD XO Frequency up to 200MHz



RoHS Compliant

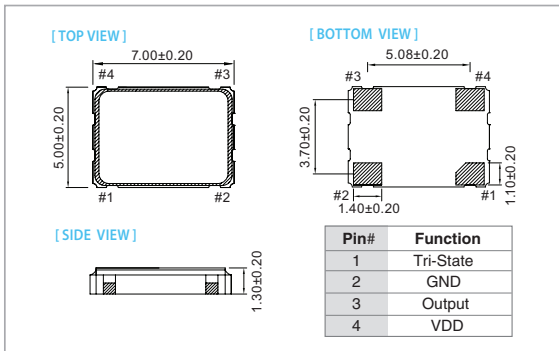
FEATURE

- Typical 7.0 x 5.0 x 1.3 mm ceramic SMD package
- Operation supply voltage: 1.8V, 2.5V and 3.3V
- FASTXO series, Fast delivery at any frequency
- Tri-State Enable/Disable
- Frequency Stability ± 25 ppm over -40°C to 105°C
- Pb-free/RoHS compliant

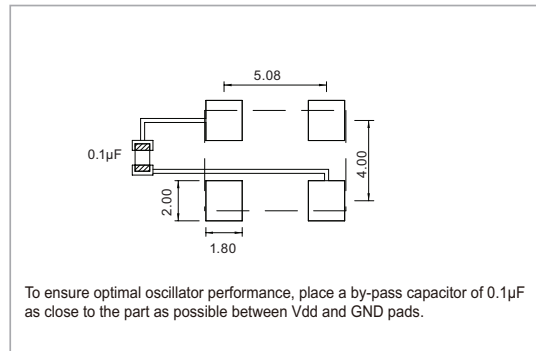
TYPICAL APPLICATION

- xDSL, WLAN, Fiber/10G-bit Ethernet
- Notebook, PDA
- PC main board, VGA card

DIMENSION (mm)



SOLDER PAD LAYOUT (mm)



ELECTRICAL SPECIFICATION

Parameter	3.3V		2.5V		1.8V		Unit		
	Min.	Max.	Min.	Max.	Min.	Max.			
Supply Voltage Variation	$V_{DD}-5\%$	$V_{DD}+5\%$	$V_{DD}-5\%$	$V_{DD}+5\%$	$V_{DD}-5\%$	$V_{DD}+5\%$	V		
Frequency Range	1	200	1	200	1	125	MHz		
Supply Current (@15pf Loading)	-	35	-	30	-	20	mA		
Output Level	Output High	90% V_{DD}	-	90% V_{DD}	-	90% V_{DD}	V		
	Output Low	-	10% V_{DD}	-	10% V_{DD}	-	10% V_{DD}	V	
Transition Time	Rise Time / Fall Time		-	2	-	2	-	3	nSec
Duty Cycle	45	55	45	55	45	55	55	%	
Startup Time	-	8	-	8	-	8	8	mSec	
Tri-State mode	Output Enable	$0.7 \times V_{DD}$	-	$0.7 \times V_{DD}$	-	$0.7 \times V_{DD}$	-	V	
	Output Disable	-	$0.3 \times V_{DD}$	-	$0.3 \times V_{DD}$	-	$0.3 \times V_{DD}$	V	
Stand by Current (@PD Mode)	-	400	-	400	-	400	400	µA	
Stand by Current (@OE Mode)	-	20	-	20	-	20	20	mA	
Output Loading	15		15		15		15	pf	
RMS Phase Jitter (12KHz to 20MHz)	-	2	-	2	-	2	2	pSec	
Aging (@ 25°C, First Year)	-	± 3	-	± 3	-	± 3	± 3	ppm	
Storage Temp. Range	-50	+125	-50	+125	-50	+125	+125	$^{\circ}\text{C}$	

Standard frequencies are frequencies which the crystal has been designed and does not imply a stock position.
 + Transition times are measured between 10% and 90% of V_{DD} , with an output load of 15pF.

FREQ. STABILITY vs. TEMP. RANGE

Temp. (°C)	ppm	± 15	± 20	± 25	± 50
-20~+70		△	○	○	○
-40~+85		×	△	○	○
-40~+105		×	△	○	○

*O: Available △: Conditional X: Not available
 *Inclusive of calibration @ 25°C, operating temperature range, ir Voltage variation, load variation, aging (1st year), shock, and vibratic

Note: not all combination of options are available. Other specifications may be available upon request.

Specifications subject to change without notice.