

# PZ-U Type Crystal Oscillator

## FASTXO 2.0 x 1.6 mm SMD XO

### Frequency up to 200MHz

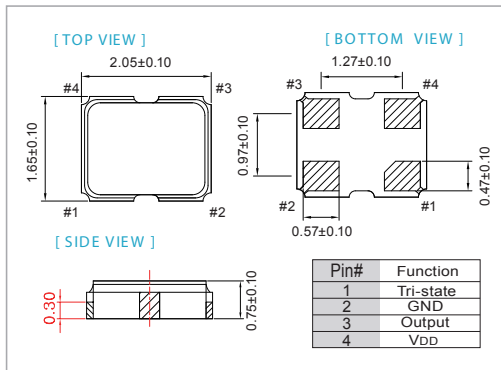
#### FEATURE

- Typical 2.05 x 1.65 x 0.75 mm ceramic SMD package
- Operation supply voltage: 1.8V, 2.5V and 3.3V
- FASTXO series, Fast delivery at any frequency
- Tri-State Enable/Disable
- Frequency Stability  $\pm 25$ ppm over  $-40^{\circ}\text{C}$  to  $105^{\circ}\text{C}$
- Pb-free/RoHS compliant

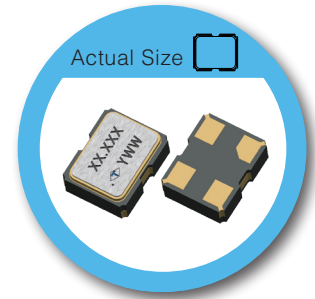
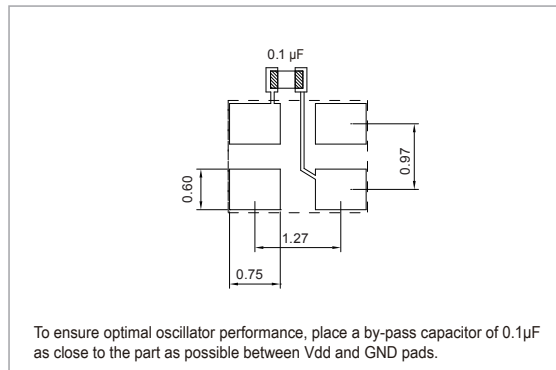
#### TYPICAL APPLICATION

- Wearable device
- Mobile device
- IoT, Smartphone
- Game console

#### DIMENSION (mm)



#### SOLDER PAD LAYOUT (mm)



RoHS Compliant

#### ELECTRICAL SPECIFICATION

Parameter	3.3V		2.5V		1.8V		Unit
	Min.	Max.	Min.	Max.	Min.	Max.	
Supply Voltage Variation	$V_{DD}-5\%$	$V_{DD}+5\%$	$V_{DD}-5\%$	$V_{DD}+5\%$	$V_{DD}-5\%$	$V_{DD}+5\%$	V
Frequency Range	1	200	1	200	1	125	MHz
Supply Current (@15pf Loading)	-	35	-	30	-	20	mA
Output Level	Output High	$90\%V_{DD}$	-	$90\%V_{DD}$	-	$90\%V_{DD}$	V
	Output Low	-	$10\%V_{DD}$	-	$10\%V_{DD}$	-	$10\%V_{DD}$
Transition Time	Rise Time / Fall Time		-	2	-	3	nSec
	Duty Cycle	45	55	45	55	45	55
Startup Time	-	8	-	8	-	8	mSec
Tri-State	Output Enable	$0.7 \times V_{DD}$	-	$0.7 \times V_{DD}$	-	$0.7 \times V_{DD}$	V
	Output Disable	-	$0.3 \times V_{DD}$	-	$0.3 \times V_{DD}$	-	$0.3 \times V_{DD}$
Stand by Current (@PD Mode)	-	400	-	400	-	400	µA
Stand by Current (@OE Mode)	-	20	-	20	-	20	mA
Output Loading	15		15		15		pf
RMS Phase Jitter (12KHz to 20MHz)	-	2	-	2	-	2	pSec
Aging (@ 25°C, First Year)	-	$\pm 3$	-	$\pm 3$	-	$\pm 3$	ppm
Storage Temp. Range	-50	+125	-50	+125	-50	+125	$^{\circ}\text{C}$

Standard frequencies are frequencies which the crystal has been designed and does not imply a stock position.

+ Transition times are measured between 10% and 90% of VDD, with an output load of 15pF.

#### FREQ. STABILITY vs. TEMP. RANGE

Temp. (°C)	ppm	$\pm 15$	$\pm 20$	$\pm 25$	$\pm 50$
-20~+70		△	○	○	○
-40~+85		×	△	○	○
-40~+105		×	△	○	○

\*O: Available △: Conditional X: Not available

\*Inclusive of calibration @ 25°C, operating temperature range, ir Voltage variation, load variation, aging (1<sup>st</sup> year), shock, and vibrati

Note: not all combination of options are available. Other specifications may be available upon request.

Specifications subject to change without notice.

[www.taitien.com](http://www.taitien.com)  
[sales@taitien.com.tw](mailto:sales@taitien.com.tw)