

PY-U Type Crystal Oscillator

FASTXO 2.5 x 2.0 mm SMD XO Frequency up to 200MHz

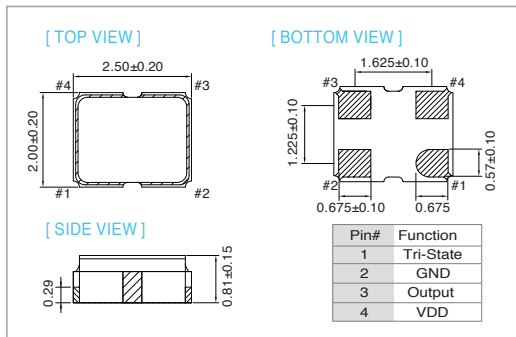
FEATURE

- Typical 2.5 x 2.0 x 0.81 mm ceramic SMD package
- Operation supply voltage: 1.8V, 2.5V and 3.3V
- FASTXO series, Fast delivery at any frequency
- Tri-State Enable/Disable
- Frequency Stability $\pm 25\text{ppm}$ over -40°C to 105°C
- Pb-free/RoHS compliant

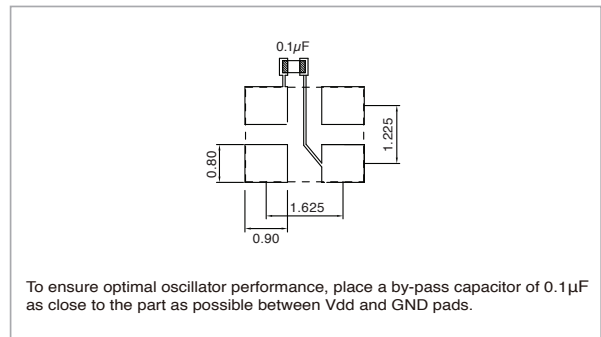
TYPICAL APPLICATION

- Computer Peripherals
- Set-top Box , HDTV
- DSC, PDA

DIMENSION (mm)



SOLDER PAD LAYOUT (mm)



Actual Size

RoHS Compliant

ELECTRICAL SPECIFICATION

Parameter	3.3V		2.5V		1.8V		Unit	
	Min.	Max.	Min.	Max.	Min.	Max.		
Supply Voltage Variation	$V_{DD}-5\%$	$V_{DD}+5\%$	$V_{DD}-5\%$	$V_{DD}+5\%$	$V_{DD}-5\%$	$V_{DD}+5\%$	V	
Frequency Range	1	200	1	200	1	125	MHz	
Supply Current (@15pf Loading)	-	35	-	30	-	20	mA	
Output Level	Output High	90%V _{DD}	-	90%V _{DD}	-	90%V _{DD}	V	
	Output Low	-	10%V _{DD}	-	10%V _{DD}	-	10%V _{DD}	
Transition Time	Rise Time / Fall Time	-	2	-	2	-	3	nSec
	Output Enable	0.7 x V _{DD}	-	0.7 x V _{DD}	-	0.7 x V _{DD}	-	V
Tri-State	Output Disable	-	0.3 x V _{DD}	-	0.3 x V _{DD}	-	0.3 x V _{DD}	V
	Stand by Current (@PD Mode)	-	400	-	400	-	400	µA
Stand by Current (@OE Mode)	-	20	-	20	-	20	mA	
Output Loading	15		15		15		pf	
RMS Phase Jitter (12KHz to 20MHz)	-	2	-	2	-	2	pSec	
Aging (@ 25°C, First Year)	-	±3	-	±3	-	±3	ppm	
Storage Temp. Range	-50	+125	-50	+125	-50	+125	°C	

Standard frequencies are frequencies which the crystal has been designed and does not imply a stock position.
 + Transition times are measured between 10% and 90% of V_{DD}, with an output load of 15pF.

FREQ. STABILITY vs. TEMP. RANGE

Temp. (°C)	ppm	±15	±20	±25	±50
-20~+70		△	○	○	○
-40~+85		×	△	○	○
-40~+105		×	△	○	○

*O: Available △: Conditional X: Not available
 *Inclusive of calibration @ 25°C ,operating temperature range,input Voltage variation,load variation,aging (1st year),shock,and vibration

Note: not all combination of options are available. Other specifications may be available upon request.