



PXW-3

Crystal Oscillator Programmer

Take control of your oscillator supply — not your lead time.

Wrong frequency? Need one more? Don't wait 3–6 weeks. Program it yourself — today.

Purpose-built programming parameters co-developed with the oscillator's internal architecture — not reverse-engineered from a third-party tool.

The Programmer Built by the Oscillator Maker

PXW-3 is a USB-powered crystal oscillator programmer that configures CMOS oscillators to any frequency between 1 MHz and 200 MHz — on the bench, in under 2 seconds. When a frequency change or an added oscillator means waiting 3–6 weeks, design schedules stall. PXW-3 eliminates that dependency — program the exact frequency you need, when you need it, without placing a new order. Designed, validated, and supported by the same engineering team that manufactures the oscillators. Its built-in programming log retains a complete record of every session — frequency, timestamp, and batch — so every programmed device is fully traceable, from prototype to production.

Applications

- › **Design Validation & Frequency Iteration** — instantly test and adjust frequencies without waiting for new samples
- › **Last-Minute Design Changes & Risk Recovery** — fix frequency errors without delaying your project
- › **NPI Builds & Low-Volume Production** — program exact quantities without MOQ or lead time constraints
- › **On-Site Maintenance & Field Updates** — reconfigure oscillator frequency on-site, no factory return required

PXW-3

Crystal Oscillator Programmer
+ Compatible Sockets



2.0 x 1.6 mm



2.5 x 2.0 mm



3.2 x 2.5 mm



5.0 x 3.2 mm



7.0 x 5.0 mm

Key Features

- › ≤ 2 seconds programming — no interruption to your workflow
- › 1 MHz to 200 MHz — full frequency flexibility
- › 5 SMD package sizes — one platform, multiple designs
- › USB-powered — true bench-top operation
- › Built-in traceability log — ready for production tracking
- › Windows 7 and later
- › On-demand programming — no factory lead time required

Why PXW-3?

Take control of your oscillator supply.

- › No lead time dependency
- › No re-order delays
- › No frequency mismatch risk

Technical Specifications

Parameter	Specification
Frequency Range	1 MHz – 200 MHz
Max Frequency @ 1.8 V VCC	125 MHz
Oscillator Supply Voltage	1.8 V – 3.3 V (USB powered)
Programming Time	≤ 2 seconds per device (excl. post-program readback)
Communication & Power Interface	Mini USB
Operating System	Windows 7 or later
Supported Package Sizes	7.5x5.0 / 5.0x3.2 / 3.2x2.5 / 2.5x2.0 / 2.0x1.6 mm
Programmer Dimensions (LxWxH)	118 mm x 70 mm x 25 mm
Programmer Weight	121.8 g

Kit Contents

- › PXW-3 CMOS Crystal Oscillator Programmer unit
- › USB-A (Dual) to Mini-USB cable
- › Programming socket 2.5 mm x 2.0 mm (PN: 1201-12040003) x 1
- › Blank programmable crystal oscillator PY-002-B (2.5 mm x 2.0 mm) x 10 pcs

Additional sockets and blank oscillators for other package sizes are available separately — see Ordering Information.

One Source. Full Accountability.

- › No interoperability gap — electrical validation is performed on the same production blanks, not on reference samples from a third-party tool vendor.
- › Unified technical support — the same FAE team that handles oscillator selection supports the PXW-3. No boundary to navigate between programmer vendor and oscillator vendor.
- › Roadmap alignment — new oscillator packages and socket compatibility are planned in parallel, not retrofitted after the fact.

Socket & Blank Oscillator Options

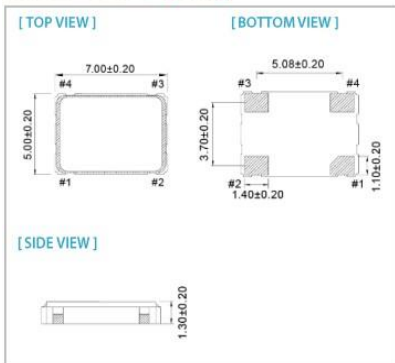
Sockets and blanks are ordered separately by package size. The kit ships with the 2.5x2.0 mm socket by default.

Package Size	Socket Orderable PN	Blank Oscillator PN
7.5 mm × 5.0 mm	1201-18010065	PC-002-B
5.0 mm × 3.2 mm	1201-18010066	PV-002-B
3.2 mm × 2.5 mm	1201-12040002	PX-002-B
2.5 mm × 2.0 mm	1201-12040003	PY-002-B
2.0 mm × 1.6 mm	1201-18010068	PZ-001-B

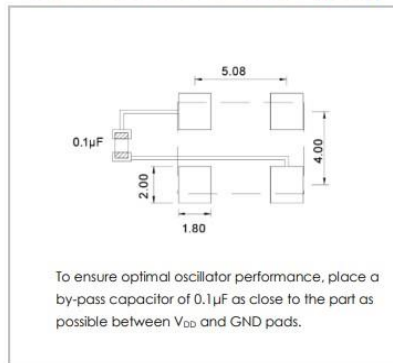
Blank Oscillator Mechanical Drawings

7.5 mm × 5.0 mm | PC-002-B

DIMENSION (mm)



SOLDER PAD LAYOUT (mm)

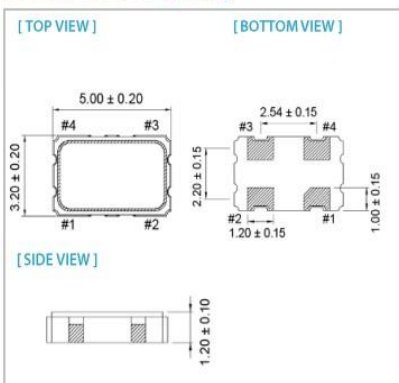


PIN FUNCTION (mm)

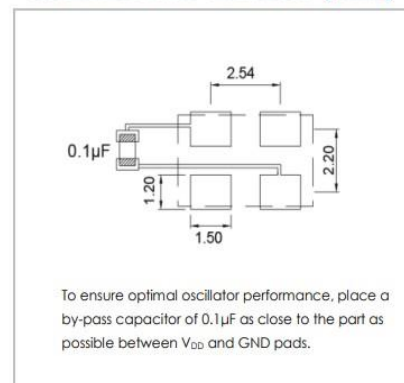
PIN#	FUNCTION
1	Tri-State
2	GND
3	Output
4	V _{DD}

5.0 mm × 3.2 mm | PV-002-B

DIMENSION (mm)



SOLDER PAD LAYOUT (mm)

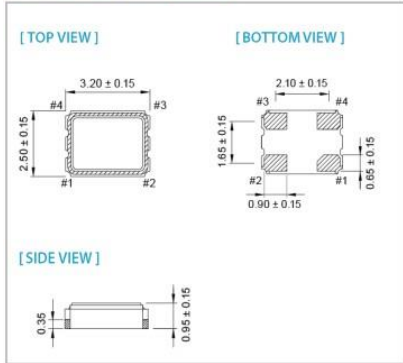


PIN FUNCTION (mm)

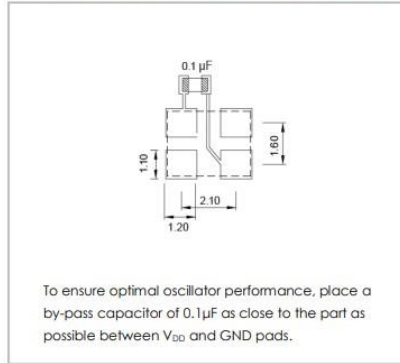
PIN#	FUNCTION
1	Tri-State
2	GND
3	Output
4	V _{DD}

3.2 mm × 2.5 mm | PX-002-B

DIMENSION (mm)



SOLDER PAD LAYOUT (mm)

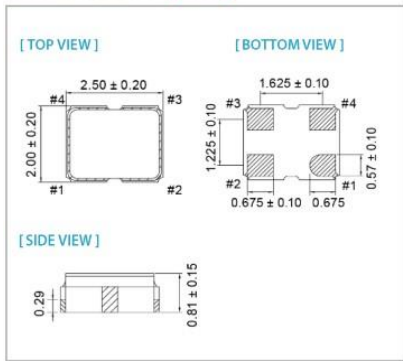


PIN FUNCTION (mm)

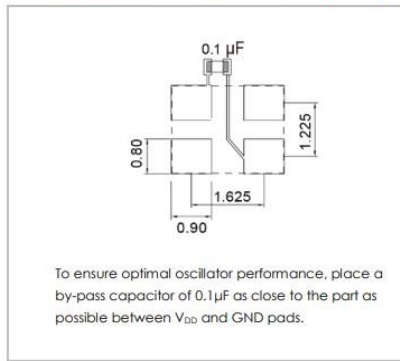
PIN#	FUNCTION
1	Tri-State
2	GND
3	Output
4	V _{DD}

2.5 mm × 2.0 mm | PY-002-B

DIMENSION (mm)



SOLDER PAD LAYOUT (mm)

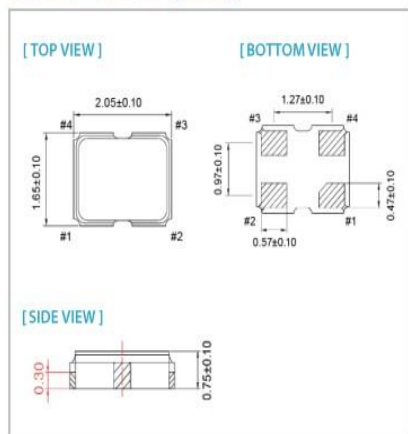


PIN FUNCTION (mm)

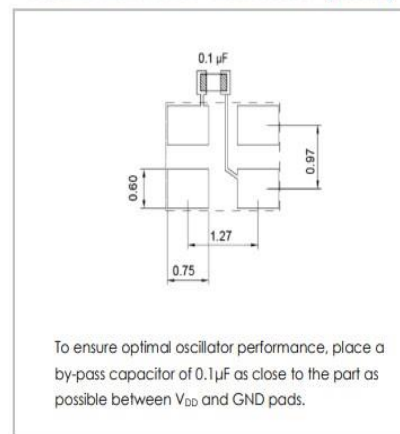
PIN#	FUNCTION
1	Tri-State
2	GND
3	Output
4	V _{DD}

2.0 mm × 1.6 mm | PZ-001-B

DIMENSION (mm)



SOLDER PAD LAYOUT (mm)



PIN FUNCTION (mm)

PIN#	FUNCTION
1	Tri-State
2	GND
3	Output
4	V _{DD}

Ordering Information

The PXW-3 Kit includes the programmer unit, USB cable, 2.5x2.0 mm socket, and 10x PY-002-B blank oscillators. To program other package sizes, order the corresponding socket and blanks separately.

Part Number	Description	Kit Contents
PXW-3 Kit	PXW-3 Programmer Kit (2.5x2.0 mm socket included)	Programmer + USB Cable + Socket + 10x PY-002-B
Additional Sockets		
1201-18010065	Socket, 7.5 mm x 5.0 mm	—
1201-18010066	Socket, 5.0 mm x 3.2 mm	—
1201-12040002	Socket, 3.2 mm x 2.5 mm	—
1201-12040003	Socket, 2.5 mm x 2.0 mm	—
1201-18010068	Socket, 2.0 mm x 1.6 mm	—
Blank Oscillators		
PC-002-B	Blank Oscillator, 7.5x5.0 mm	—
PV-002-B	Blank Oscillator, 5.0x3.2 mm	—
PX-002-B	Blank Oscillator, 3.2x2.5 mm	—
PY-002-B	Blank Oscillator, 2.5x2.0 mm	—
PZ-001-B	Blank Oscillator, 2.0x1.6 mm	—

Contact sales@taitien.com.tw or your regional distributor for volume pricing, blank minimum quantity, and extended socket options.

Ready to Get Started?

Stop waiting on oscillator lead times. Take control of your supply — today.

From frequency change to verified device — in seconds, not weeks.

To learn more about PXW-3, visit www.taitien.com

For sales enquiries, contact sales@taitien.com.tw



Scan to download PDF